

DATA SHEET

SV 400/2

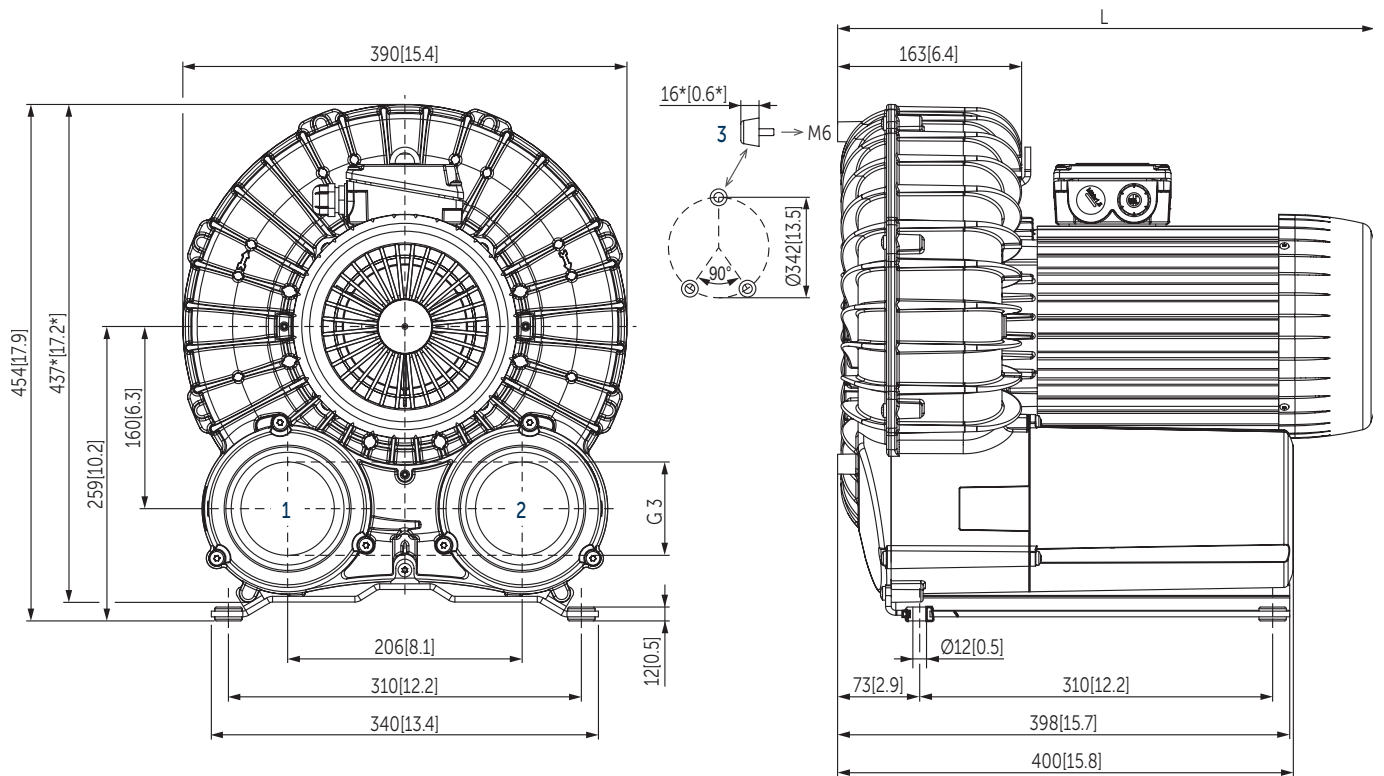
SIDE CHANNEL BLOWERS

double stage

air-cooled

MAKE IT BECKER.





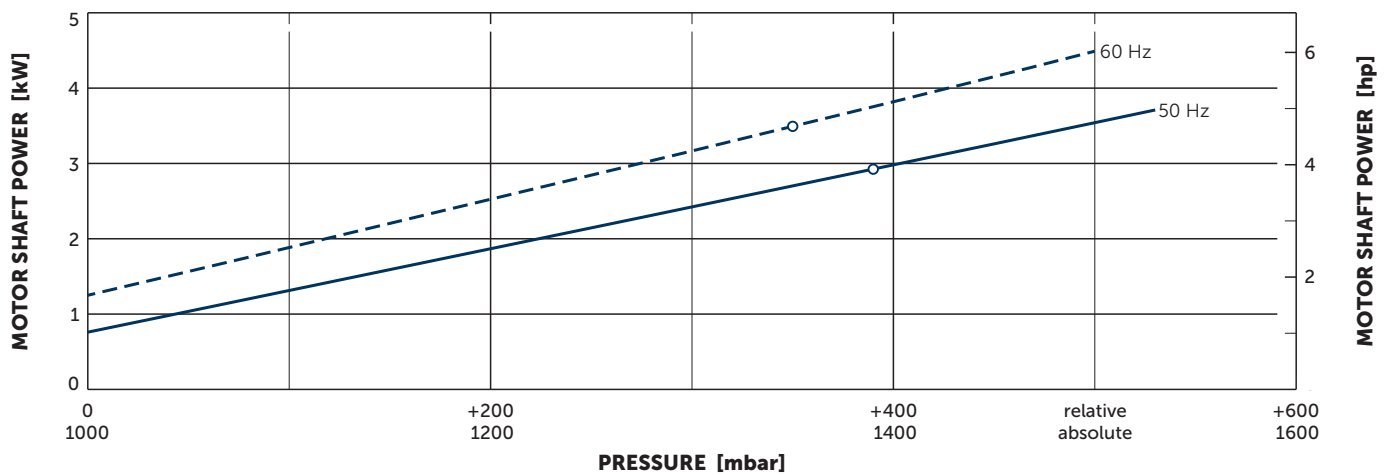
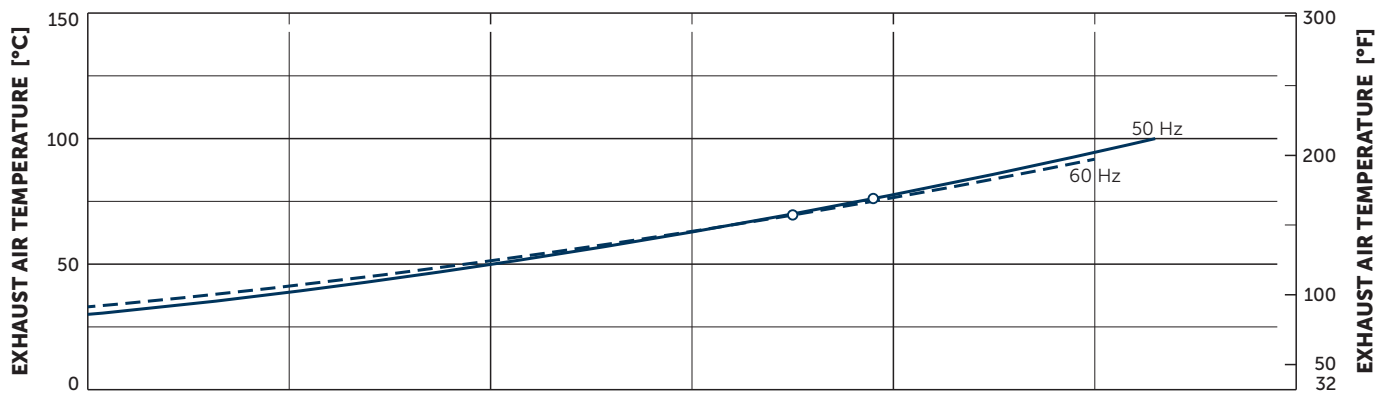
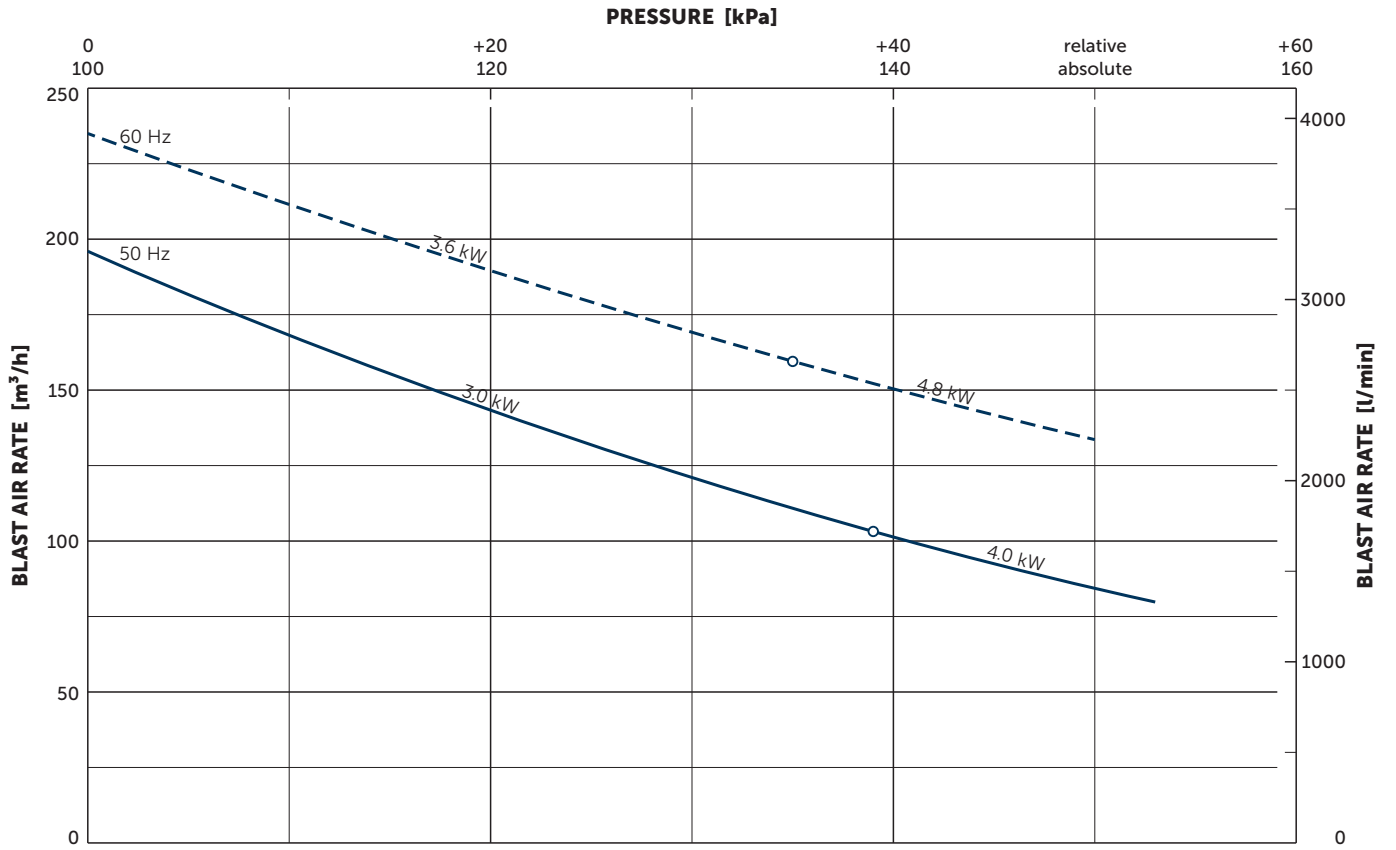
- 1 Vacuum connection (G3)
- 2 Pressure connection (G3)
- 3 Rubber buffer position (optional)
- * Device dimensions without pedestal under the silencer, with rubber buffers on the enclosure cover
- The motor illustration may vary
- Dimensions in mm [inch]

Blast air rate		Pressure relative		Motors		Emission sound pressure level ¹⁾		Weight with motor	L
m ³ /h		mbar		kW		dB(A)		kg	mm [inch]
50 Hz	60 Hz	50 Hz	60 Hz	50 Hz	60 Hz	50 Hz	60 Hz		
195	235	+390	+350	3.0	3.6	73.1 (+360 mbar)	75.1 (+330 mbar)	53.5	489 [19.3]
195	235	+530	+500	4.0	4.8	73.1 (+360 mbar)	75.1 (+330 mbar)	54.0	502 [19.8]

¹⁾ According to DIN EN ISO 11203, accuracy class of measurement: class 2, extended measurement uncertainty: 3 dB
1 m [39.4 inch] distance, at medium load, both connection sides piped

3~ Motors											
#	50 Hz					60 Hz					Version
	kW	V	IE3	min ⁻¹	A	kW	V	IE3	min ⁻¹	A	
01	3.0	Δ230/Y400	IE3	2940	10.9/6.3	3.6	Δ265/Y460	IE3	3530	10.8/6.25	UL/CSA IP55, ISO F, bimetal
							Δ230/Y400	IE3	3505	11.5/6.6	
02						3.6	YY230/Y460	IE3	3525	12.0/6.0	UL/CSA/CC301B IP55, ISO F, bimetal
							YY208/Y –	IE3	3505	12.7/ –	
03	3.0	Δ200/Y350	IE3	2940	12.6/7.3	3.6	Δ220/Y380–400	IE3	3530	12.6/7.3–7.2	IP55, ISO F, bimetal
							Δ200/Y350	IE3	3505	13.2/7.55	
04	4.0	Δ230/Y400	IE3	2930	14.6/8.4	4.8	Δ265/Y460	IE3	3520	14.3/8.25	UL/CSA IP55, ISO F, bimetal
							Δ230/Y400	IE3	3490	15.4/8.85	
05						4.8	YY230/Y460	IE3	3520	16.5/8.25	UL/CSA IP55, ISO F, bimetal
							YY208/Y –	–	3500	17.1/ –	
06	4.0	Δ200/Y350	IE3	2930	16.6/9.6	4.8	Δ220/Y380–400	IE3	3520	16.6/9.6–9.45	IP55, ISO F, bimetal
							Δ200/Y350	IE3	3490	17.7/10.1	

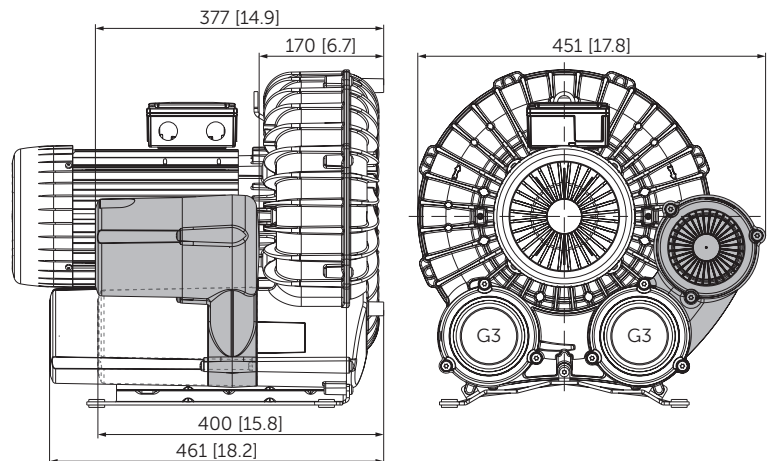
▪ Current consumption and rotation speed may vary. Tolerance in each case -1.5/+2%



Reference data (atmosphere): 1000 mbar (100 kPa), 20°C (68°F)
 Tolerance: ±10%
 Temperature: Ambient air -10°C ... 40°C (14°F ... 104°F), Inlet air 0°C ... 40°C (32°F ... 104°F)

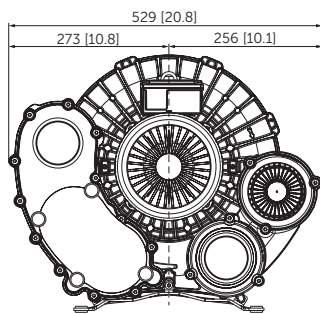
+ VARIANTS AND ACCESSORIES

PRESSURE SAFETY VALVE

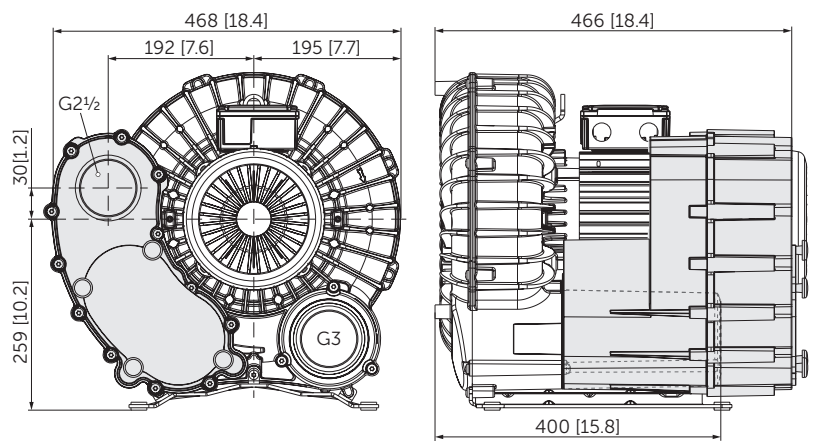


SUCTION FILTER

- Paper or polyester insert

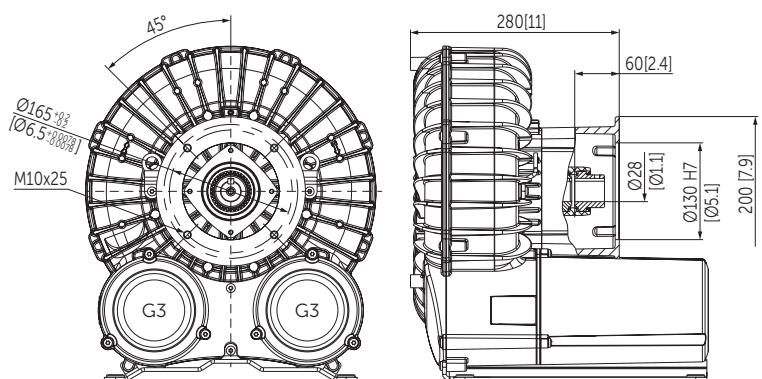


Suction filter & pressure safety valve



WITHOUT MOTOR

- With coupling for flange motor
- The motor must be supported!



OTHER VARIANTS AND ACCESSORIES

- With increased corrosion protection
- Sound proof box SH 18¹⁾ – Not with 5.5/6.6 kW motors!

¹⁾ See separate data sheet

- Dimensions in mm [inch] – For other dimensions, see the figure on page 2.
- Possible combinations on request



Sound proof box SH 18



MAKE IT BECKER.